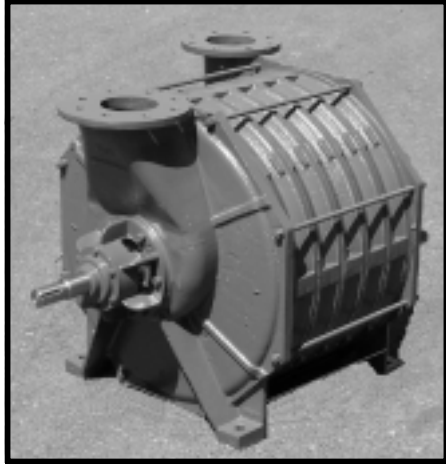




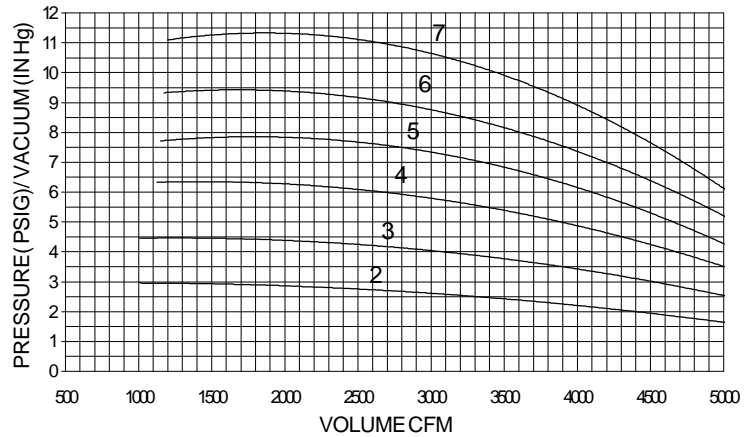
NATIONALTURBINE CORPORATION
 374 Northern Lights Drive
 Syracuse, NY 13212
 888-293-7434 fax 315-455-5545
 www.nationalturbine.com
 sales@nationalturbine.com

CENTURION SERIES TECHNICAL DATA AND DIMENSIONS

NT883 MULTI STAGE CENTRIFUGAL BLOWERS & EXHAUSTERS



GENERAL PERFORMANCE



Technical Data

- Number of Stages 1 through 8
- Inlet Connection 8" (203.2 mm) Flange, ASA 125# Drilling
- Outlet Connection 8" (203.2 mm) Flange, ASA 125# Drilling
- Operating Speed 3550 RPM
- Maximum Casting Pressure 20 PSIG (1.41 kg/cm²)
- Seals (gas) Packing Gland Style
- Seals (air) Non Contact Labyrinth
- Bearings Ball, 10-year minimum life per AFBMA B-10 standard (U.S.A. Made)
- Lubrication Grease (standard) or Oil (optional)
- Impeller Diameter 24" (609.6 mm)
- Impeller Tip Speed 22,305 FPM (6,799 m/min)
- Drive Type Direct Coupled
- Max. Vibration Spec. 0.25 in/sec (ISO overall spec.), 1.25 mils peak to peak
- Shaft End 1.875" (47.63 mm) diameter, inlet drive standard
- Noise Level Compliant with OSHA standards (certified test available)

Materials of Construction

- Casing Cast Iron ASTM A48 grade 25/30
- Bearing Housings Cast Iron ASTM A48 Grade 25/30
- Bearing Caps Cast Aluminum Alloy
- Oil Reservoir Cast Aluminum Alloy
- Shaft Carbon Steel AISI 4140 (Stainless Steel Available)
- Impellers Cast Aluminum Alloy
- Labyrinth Seal ZA-12 Zinc Alloy
- Tie Rods Galvanized Steel
- Gas Seals Cast Aluminum Packing Gland with Braided Packing
- Air Deflector Rings Stainless Steel
- Base and Pedestal Structural Steel
- Joint Sealing Compound RTV Silicone
- Base Pads Neoprene Rubber
- Standard Finish Industrial Enamel



**100% Made in the
 U.S.A.**



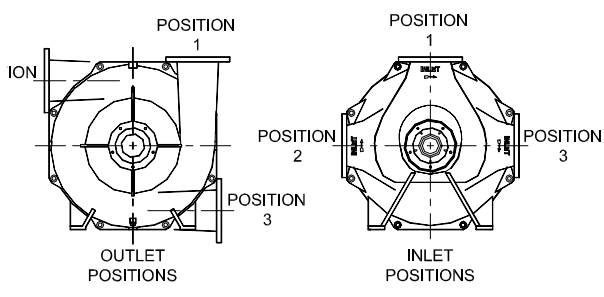
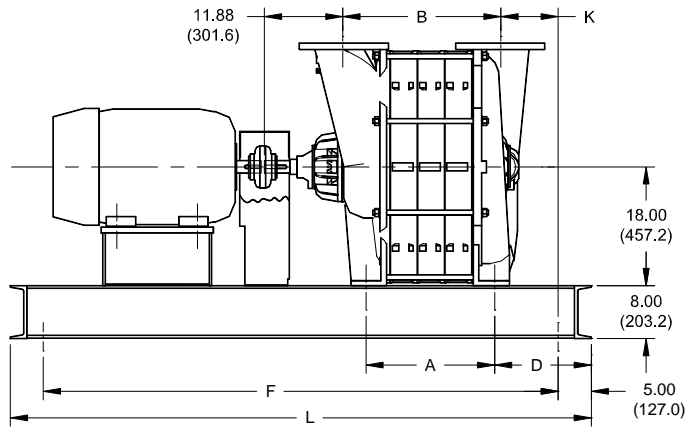
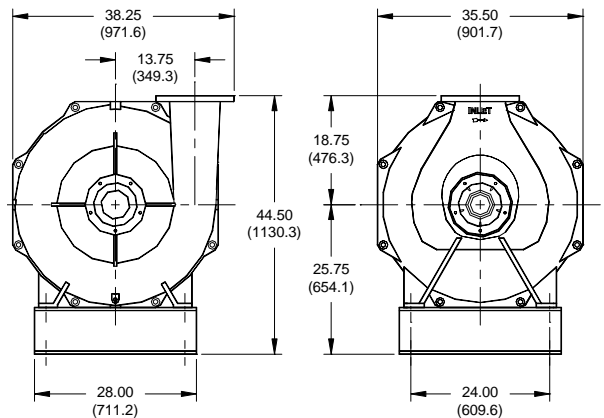
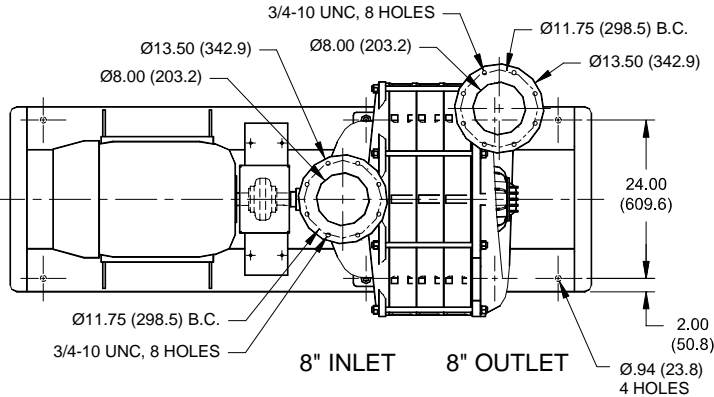
NATIONALTURBINE CORPORATION
 374 Northern Lights Drive
 Syracuse, NY 13212
 888-293-7434 fax 315-455-5545
 www.nationalturbine.com
 sales@nationalturbine.com

CENTURION SERIES TECHNICAL DATA AND DIMENSIONS

Series NT883 Multistage Centrifugal Blowers & Exhausters

General Dimensions (all dimensions in inches)

MODEL	A	B	D	F	L	K
NT88301	7.38	11.81	10.5	52	62	4.56
NT88302	11.75	16.19	10.5	58	68	4.56
NT88303	16.13	20.56	10.5	65	75	4.56
NT88304	20.5	24.94	14.88	78	88	8.94
NT88305	24.88	29.31	10.5	78	88	4.56
NT88306	29.25	33.69	14.88	92	102	8.94
NT88307	33.63	38.06	10.5	92	102	4.56
NT88308	38.00	42.44	14.88	107	117	8.94



Both the inlet and outlet can be cast in three different positions