



NATIONALTURBINE CORPORATION
 374 Northern Lights Drive
 Syracuse, NY 13212
 888-293-7434 fax 315-455-5545
 www.nationalturbine.com
 sales@nationalturbine.com

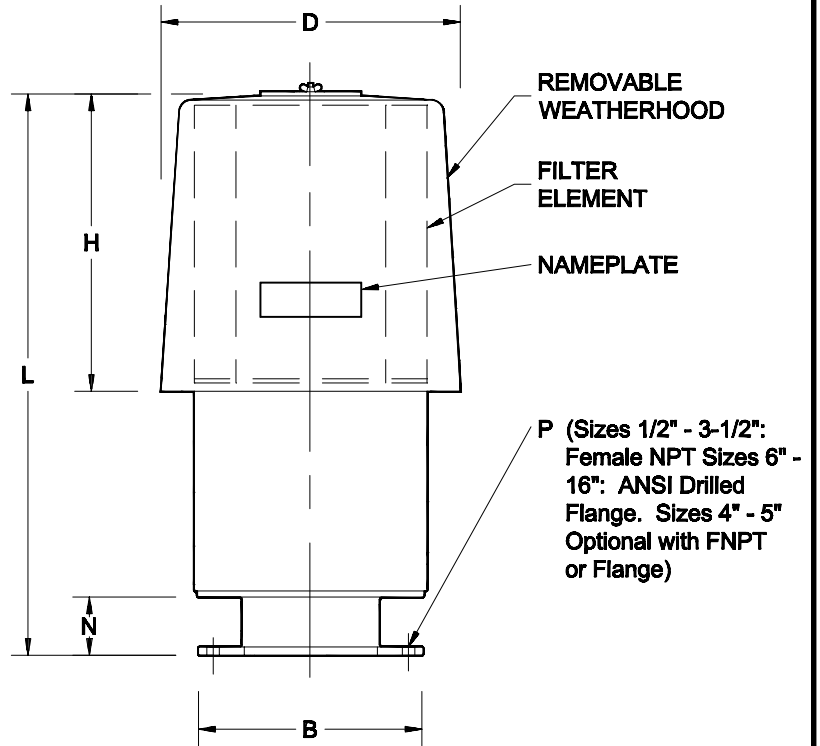
ACCESSORIES

SERIES UFS - INLET FILTER SILENCER

Series UFS - Inlet Filter / Silencers offer high performance filtration and silencing in a convenient, economical cartridge configuration. Three types of filter element media (pleated paper, pleated felt or wire mesh) are available. These Filter / Silencers feature a removable weatherhood.

Components are carbon steel construction with a high quality enamel finish for long life, even under demanding conditions.

Filter restriction gauges are optional for all units. All models have a 1/8-inch FNPT for installation of gauge.



Octave Band Center Freq. (Hz)							
63	125	250	500	1K	2K	4K	8K
5	8	10	12	14	14	14	14
Attenuation, dB							

Sizes 1 thru 3 are standard with FNPT connection.

Sizes 4 and 5 are available with FNPT or 125# ANSI flange.

Sizes 6 thru 14 are standard with 125# ANSI drilled flanges.

Rated CFM is based upon exit velocity of approx. 5500 ft/min.

Part Number	P (size)	Rated CFM	D (inch)	H (inch)	B (inch)	N (inch)	L (inch)	WGT. (lbs)
UFS-1	1	35	8.0	3.1	6.0	---	6.5	7
UFS-1.5	1-1/2	75	9.0	3.5	6.5	---	7.9	10
UFS-2	2	120	9.0	3.5	6.5	---	7.9	10
UFS-2.5	2-1/2	190	13.4	6.8	10.0	1.0	17.7	19
UFS-3	3	275	13.4	6.8	10.0	1.0	17.7	18
UFS-4	4	500	13.4	6.8	10.0	3.0/1.1	19.6/17.7	21/19
UFS-5	5	750	13.4	6.8	10.0	3.0/1.8	19.6/18.3	23/19
UFS-6	6	1100	18.0	9.5	14.0	3.0	25.3	43
UFS-8	8	2200	18.0	18.0	14.0	3.0	33.9	56
UFS-10	10	3000	24.0	11.5	18.0	3.0	29.3	83
UFS-12	12	4300	24.0	11.5	18.0	3.0	29.3	91
UFS-14	14	5900	30.0	15.4	24.0	3.0	36.3	143