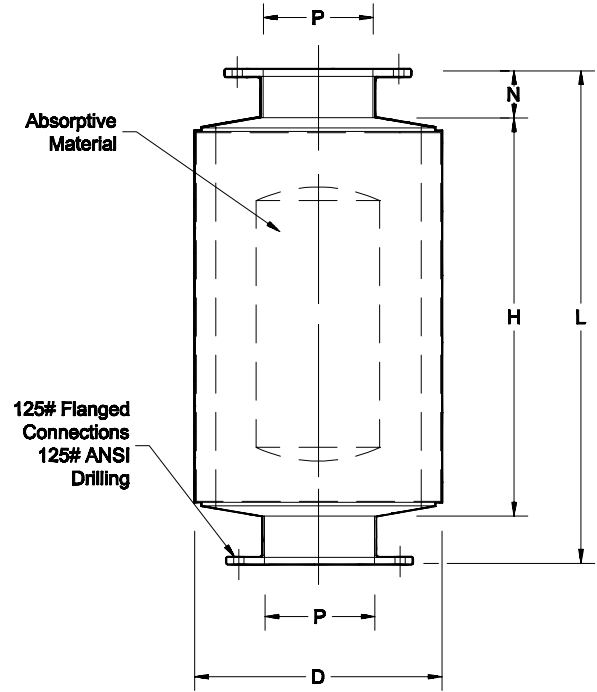
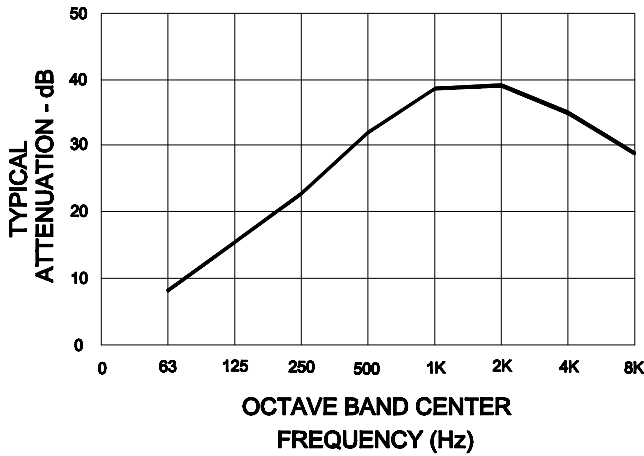




**NATIONALTURBINE CORPORATION**  
 374 Northern Lights Drive  
 Syracuse, NY 13212  
 888-293-7434 fax 315-455-5545  
 www.nationalturbine.com  
 sales@nationalturbine.com

# ACCESSORIES

## SERIES USS - INLET / OUTLET ABSORPTION SILENCER



The USS Series design consists of two concentric perforated cylinders lined with acoustical pack, forming an annular flow path. This design features blocked line-of-sight, while providing full flow area for low resistance.

Mild Steel Construction

USS Series standard paint and Acoustical Packings are suitable for 325 degrees F application.

Part Number	P (inch)	D (inch)	L (inch)	N (inch)	H (inch)	WGT. (lbs)
USS-4	4	10	21.5	3	15.5	30
USS-5	5	12	26	3	20	55
USS-6	6	12	26	3	20	60
USS-8	8	18	36	3.5	29	120
USS-10	10	20	44.5	3.5	37.5	195
USS-12	12	24	53	3.5	46	290
USS-14	14	26	61.5	3.5	54.5	390
USS-16	16	28	68	3.5	61	500
USS-18	18	30	74	3.5	67	650
USS-20	20	36	78	4.5	69	950
USS-24	24	42	91	4.5	82	1400