

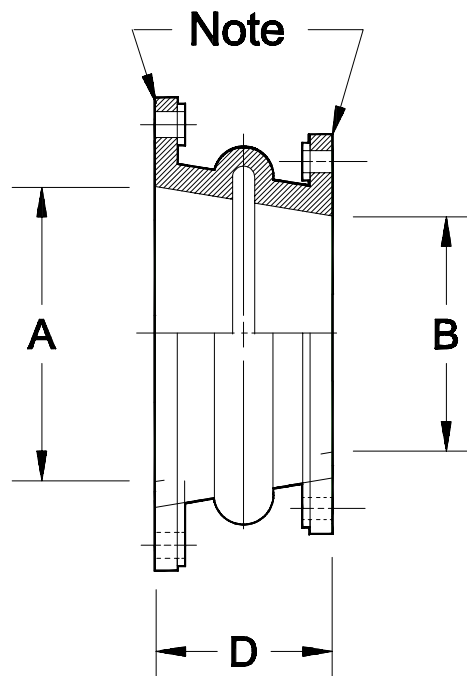


NATIONALTURBINE CORPORATION
 374 Northern Lights Drive
 Syracuse, NY 13212
 888-293-7434 fax 315-455-5545
 www.nationalturbine.com
 sales@nationalturbine.com

ACCESSORIES

EXPANSION JOINTS, CONCENTRIC TAPERED, FLANGED

Part Number	Size (A x B)	D	Est. Weight Joint With RetainingRings
RJ-43	4.0 x 3.0	6.0	14.0
RJ-53	5.0 x 3.0	6.0	15.0
RJ-54	5.0 x 4.0	6.0	17.0
RJ-65	6.0 x 5.0	6.0	19.0
RJ-85	8.0 x 5.0	6.0	24.0
RJ-86	8.0 x 6.0	6.0	25.0
RJ-106	10.0 x 6.0	8.0	30.0
RJ-108	10.0 x 8.0	8.0	35.0
RJ-128	12.0 x 8.0	8.0	42.0
RJ-1210	12.0 x 10.0	8.0	47.0
RJ-1410	14.0 x 10.0	8.0	54.0
RJ-1412	14.0 x 12.0	8.0	61.0
RJ-1612	16.0 x 12.0	8.0	68.0
RJ-1614	16.0 x 14.0	8.0	70.0
RJ-1814	18.0 x 14.0	8.0	77.0
RJ-1816	18.0 x 16.0	8.0	86.0
RJ-2016	20.0 x 16.0	8.0	93.0
RJ-2018	20.0 x 18.0	8.0	97.0



MATERIALS OF CONSTRUCTION

Expansion Joint EPDM
 Retaining Ring Galvanized Steel

RATING

Pressure 50.0 PSI Minimum
 Vacuum 15" HG Minimum
 Temperature 250 Degrees
 Fahrenheit

Notes:

NOTE- Dimensions conform to 125/150#
 ASA flange dimensions.

Special materials of construction are
 available. Consult the factory.

Dimensions are subject to change with-
 out notice.