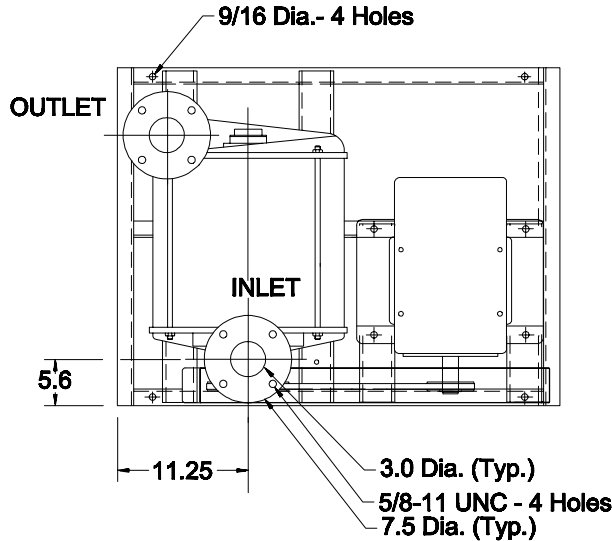




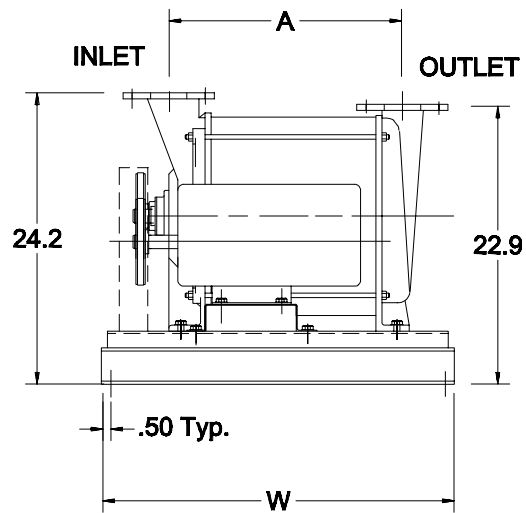
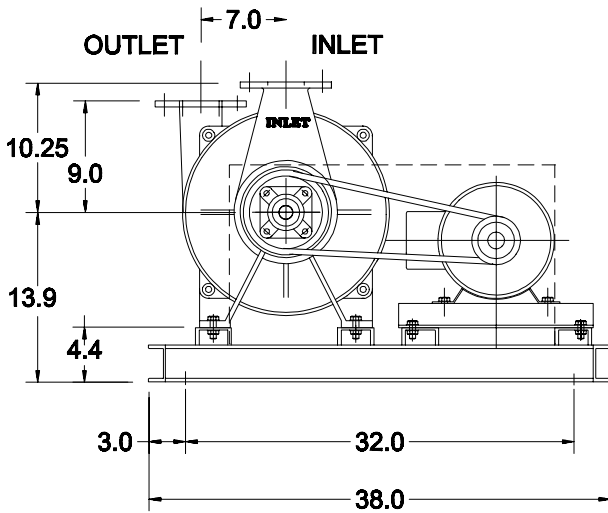
NATIONALTURBINE CORPORATION
 374 Northern Lights Drive
 Syracuse, NY 13212
 888-293-7434 fax 315-455-5545
 www.nationalturbine.com
 sales@nationalturbine.com

MILLENNIUM SERIES TECHNICAL DATA AND DIMENSIONS

MC-165 SERIES INLET DRIVE BLOWERS AND EXHAUSTERS



FRAME	A	W
MC-16501	5.56 (141)	21 (533)
MC-16502	8.25 (210)	21 (533)
MC-16503	10.94 (278)	21 (533)
MC-16504	13.63 (346)	29 (737)
MC-16505	16.31 (414)	29 (737)
MC-16506	19.00 (483)	29 (737)
MC-16507	21.69 (551)	37 (940)
MC-16508	24.38 (619)	37 (940)
MC-16509	27.06 (687)	37 (940)



DIMENSIONS SUBJECT TO CHANGE WITHOUT NOTICE
 COPYRIGHT 2001 - NATIONAL TURBINE CORPORATION

REV. A 6/3/02



NATIONALTURBINE CORPORATION
374 Northern Lights Drive
Syracuse, NY 13212
888-293-7434 fax 315-455-5545
www.nationalturbine.com
sales@nationalturbine.com

MILLENNIUM SERIES TECHNICAL DATA AND DIMENSIONS

MC-165 Series

Technical Data

Number of Stages	1 through 9
Inlet Connection	3" ANSI flange
Outlet Connection	3" ANSI flange
Operating Speed	5100 RPM standard
Maximum Casing Pressure	15 PSIG
Bearings	Ball, self-aligning, flange mount 10 year B-10 life
Lubrication	Grease
Impeller Diameter	14.0" (356 mm)
Impeller Tip Speed	18692 FPM (5697 m/min) at 5100 RPM
Drive	Belt Driven (direct drive available)
Drive Shaft Diameter	1.125" (28.6 mm)
Rotor Balance	Individually static and dynamically balanced to ISO standards

Materials of Construction

Inlet Head	319 cast aluminum
Outlet Head	319 cast aluminum
Casing	14 Gauge cold rolled steel
Tie Rods	Cold rolled steel
Joint Sealant	RTV silicone rubber
Shaft	Carbon steel, AISI 1045 (316 Stainless steel available)
Impellers	319 Cast aluminum-alloy
Base	Structural steel tubing
Motor Pedestal	Formed steel
Base Pads	Rubber
Finish	Industrial enamel