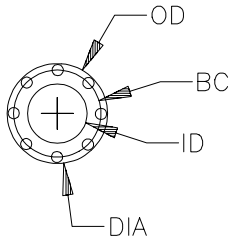




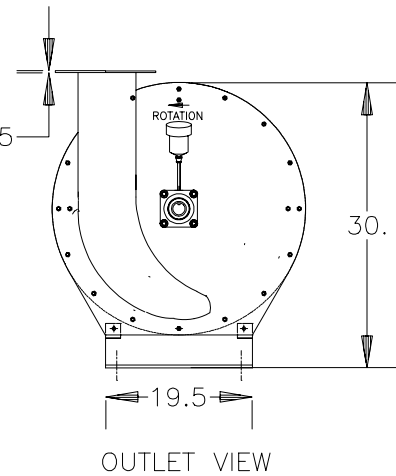
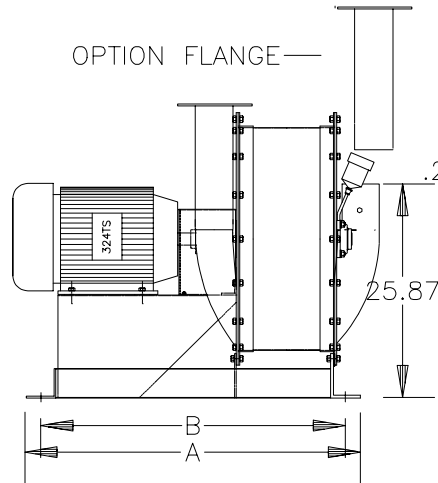
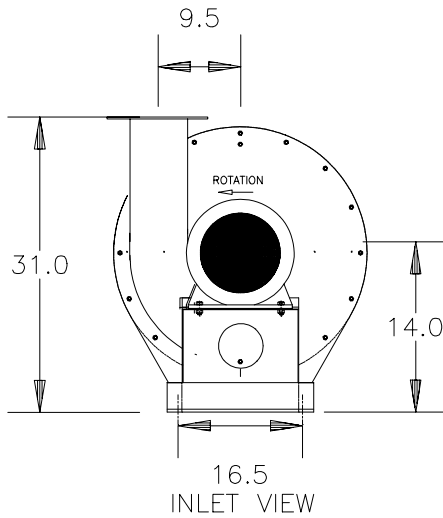
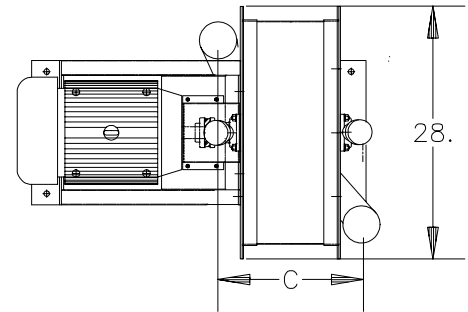
NATIONALTURBINE CORPORATION
 374 Northern Lights Drive
 Syracuse, NY 13212
 888-293-7434 fax 315-455-5545
 www.nationalturbine.com
 sales@nationalturbine.com

MILLENNIUM SERIES TECHNICAL DATA AND DIMENSIONS

M24 SERIES INLET DRIVE BLOWERS AND EXHAUSTERS



| ID | OD | BC | DIA |
|----|-----|-----|-----|
| 5" | 10" | 8.5 | .88 |



| NUMBER OF STAGES | C DIM | A DIM | B DIM |
|------------------|-------------|-----------|----------|
| 2 | 20.0 (508) | 53 (1346) | 49(1245) |
| 3 | 20.0 (508) | 53(1346) | 49(1245) |
| 4 | 20.0 (508) | 53(1346) | 49(1245) |
| 5 | 24.0 (635) | 58 (1473) | 54(1732) |
| 6 | 24.0 (635) | 58(1473) | 54(1732) |

DIMENSIONS SUBJECT TO CHANGE WITHOUT NOTICE
 COPYRIGHT 2001 - NATIONAL TURBINE CORPORATION



NATIONALTURBINE CORPORATION
374 Northern Lights Drive
Syracuse, NY 13212
888-293-7434 fax 315-455-5545
www.nationalturbine.com
sales@nationalturbine.com

MILLENNIUM SERIES TECHNICAL DATA AND DIMENSIONS

M24 Series

Technical Data

| | |
|-------------------------|--|
| Number of Stages | 1 through 6 |
| Inlet Connection | 5" ANSI flange |
| Outlet Connection | 5" Tube (ANSI flange available) |
| Operating Speed | 3525 RPM |
| Maximum Casing Pressure | 15 PSIG |
| Bearings | Ball, self-aligning, flange mount 10 year B-10 life |
| Lubrication | Grease |
| Impeller Diameter | 18.5" (470 mm) |
| Impeller Tip Speed | 17,073 FPM (5204 m/min) |
| Drive | Direct coupled (belt drive available) |
| Drive Shaft Diameter | 1.675" at coupling (42.5 mm) |
| Rotor Balance | Individually static and dynamically balanced to ISO standards |

Materials of Construction

| | |
|----------------|--|
| Inlet Head | 1/4" Plate steel |
| Outlet Head | 1/4" Plate steel |
| Casing | 14 Gauge cold rolled steel |
| Tie Rods | Cold rolled steel |
| Joint Sealant | RTV silicone rubber |
| Shaft | Carbon steel, AISI 1045 (316 Stainless steel available) |
| Impellers | 319 Cast aluminum-alloy |
| Base | Structural steel tubing |
| Motor Pedestal | Formed steel |
| Base Pads | Rubber |
| Finish | Industrial enamel |