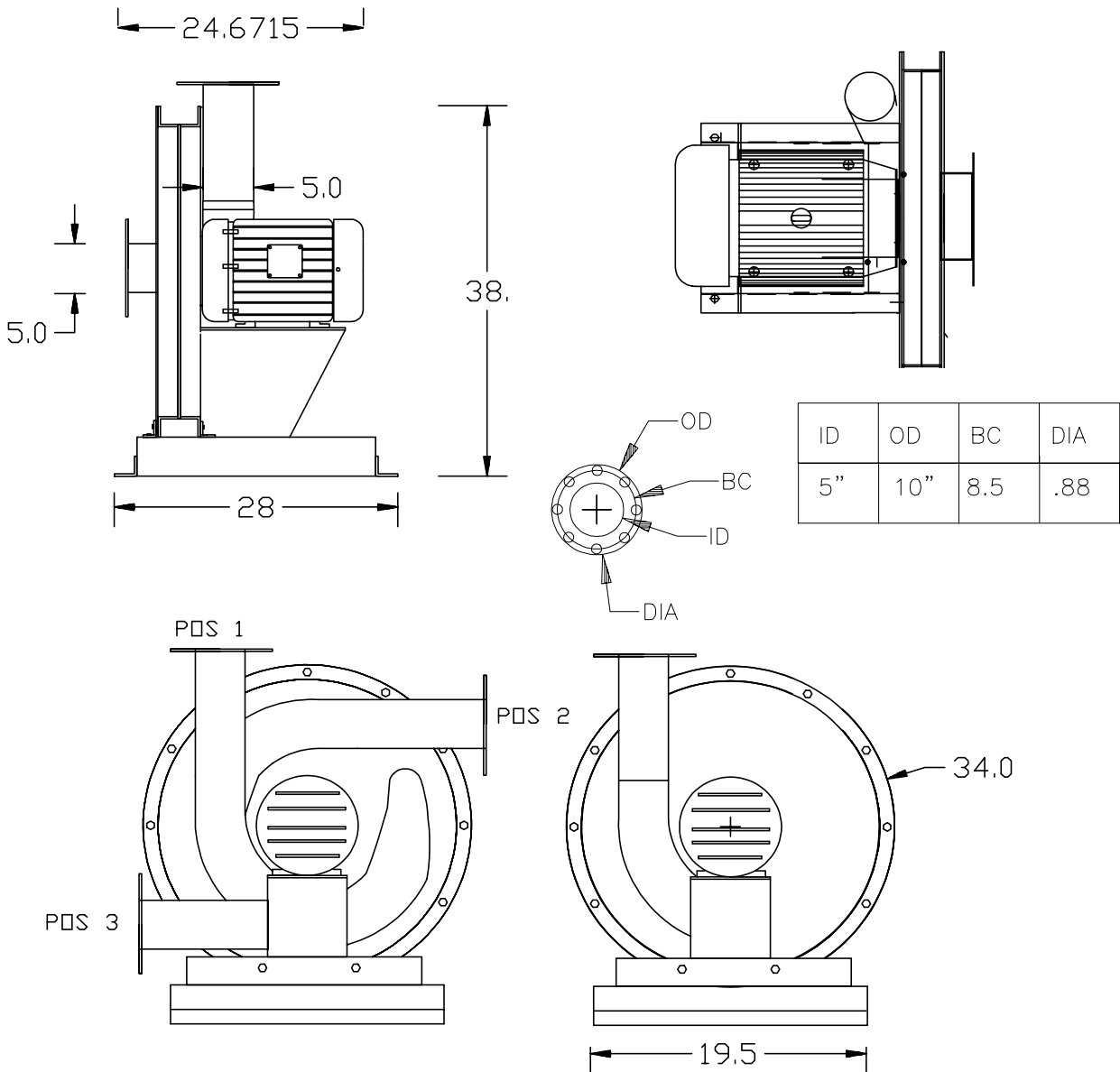




NATIONALTURBINE CORPORATION
 374 Northern Lights Drive
 Syracuse, NY 13212
 888-293-7434 fax 315-455-5545
 www.nationalturbine.com
 sales@nationalturbine.com

MILLENNIUM SERIES TECHNICAL DATA AND DIMENSIONS

MODEL M30 - MILLENNIUM SERIES SINGLE STAGE CENTRIFUGAL BLOWERS/EXHAUSTERS





NATIONALTURBINE CORPORATION
374 Northern Lights Drive
Syracuse, NY 13212
888-293-7434 fax 315-455-5545
www.nationalturbine.com
sales@nationalturbine.com

MILLENNIUM SERIES TECHNICAL DATA AND DIMENSIONS

M30 Series, Single Stage

Technical Data

Number of Stages	1
Inlet Connection	5", 6", or 8" ANSI flange
Outlet Connection	5", 6", or 8" Tube (ANSI flange available)
Operating Speed	3525 RPM
Maximum Casing Pressure	15 PSIG
Motor, 3525 RPM	Standard "C" Face "T" or "U" Frame, where required
Motor Bearings	Ball, Anti-friction, 10 year B-10 life
Motor Lubrication	Grease
Impeller Diameter	24"/26" (610 mm/660 mm)
Impeller Tip Speed	22,148/23,994 FPM (6733/7294 m/min)
Drive Arrangement	Direct, overhung
Rotor Balance	Individually static and dynamically balanced to ISO standards

Materials of Construction

Inlet Head	1/4" Plate steel
Outlet Head	1/4" Plate steel
Joint Sealant	RTV silicone rubber
Shaft	Carbon steel
Impellers	319 Cast aluminum-alloy
Base	Structural steel tubing
Motor Pedestal	Formed steel
Base Pads	Rubber
Finish	Industrial enamel