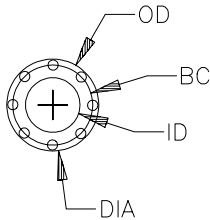




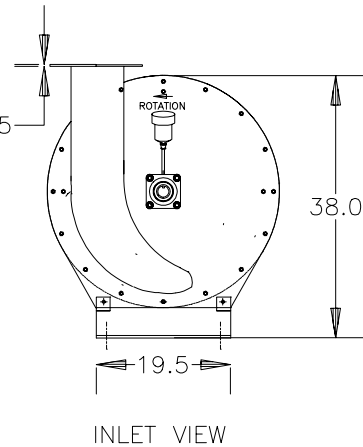
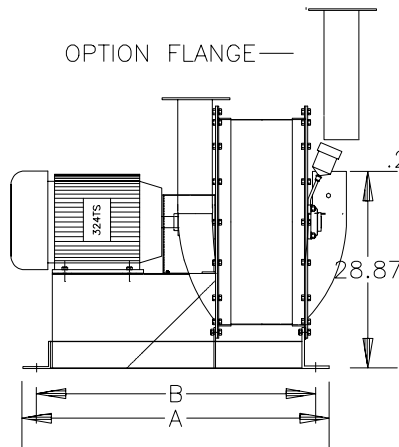
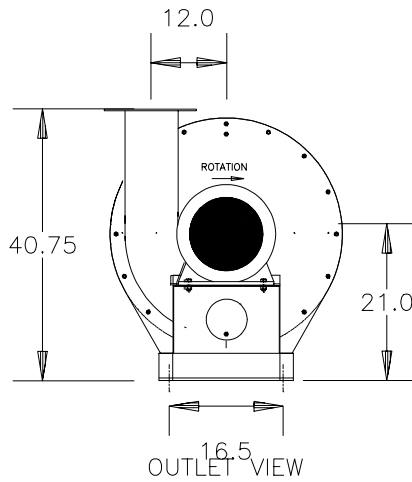
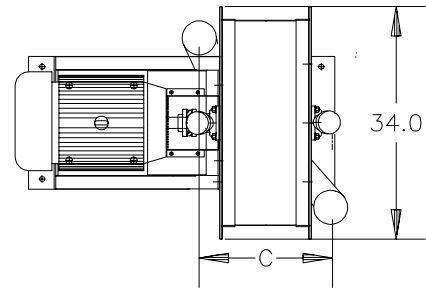
**NATIONALTURBINE CORPORATION**  
 374 Northern Lights Drive  
 Syracuse, NY 13212  
 888-293-7434 fax 315-455-5545  
 www.nationalturbine.com  
 sales@nationalturbine.com

# MILLENNIUM SERIES TECHNICAL DATA AND DIMENSIONS

## M30 SERIES OUTLET DRIVE BLOWERS AND EXHAUSTERS



ID	OD	BC	DIA
5"	10"	8.5	.88
6"	11"	9.5	.88
8"	13.5	11.75	.88



NUMBER OF STAGES	C DIM 5"(127) INLET/OUTLET	C DIM 6"(152) INLET/OUTLET	C DIM 8"(203) INLET/OUTLET	A DIM	B DIM	WEIGHT LESS MOTOR
2	20.0 (508)	21.0"(533)	23.0"(584)	53 (1346)	49 (1245)	325
3	20.0 (508)	21.0"(533)	23.0"(584)	53 (1346)	49 (1245)	367
4	24.0 (610)	25.0"(635)	27.0"(686)	58"(1473)	54"(1732)	435
5	24.0 (610)	25.0"(635)	27.0"(686)	58"(1473)	54"(1732)	476
6	28.5"(724)	29.5"(750)	31.5"(800)	62"(1575)	58"(1473)	540

DIMENSIONS SUBJECT TO CHANGE WITHOUT NOTICE  
 COPYRIGHT 1999-2002 NATIONAL TURBINE CORPORATION



**NATIONALTURBINE CORPORATION**  
374 Northern Lights Drive  
Syracuse, NY 13212  
888-293-7434 fax 315-455-5545  
www.nationalturbine.com  
sales@nationalturbine.com

## MILLENNIUM SERIES TECHNICAL DATA AND DIMENSIONS

### M30 Series

#### Technical Data

Number of Stages	1 through 6
Inlet Connection	5", 6", or 8" ANSI flange
Outlet Connection	5", 6", or 8" Tube (ANSI flange available)
Operating Speed	3525 RPM
Maximum Casing Pressure	15 PSIG
Bearings	Ball, self-aligning, flange mount 10 year B-10 life
Lubrication	Grease
Impeller Diameter	24"/26" (610 mm/660 mm)
Impeller Tip Speed	22,148/23,994 FPM (6733/7294 m/min)
Drive	Direct coupled (belt drive available)
Drive Shaft Diameter	2.0" at coupling (51 mm)
Rotor Balance	Individually static and dynamically balanced to ISO standards

#### Materials of Construction

Inlet Head	1/4" Plate steel
Outlet Head	1/4" Plate steel
Casing	14 Gauge cold rolled steel
Tie Rods	Cold rolled steel
Joint Sealant	RTV silicone rubber
Shaft	Carbon steel, AISI 1045 (316 Stainless steel available)
Impellers	319 Cast aluminum-alloy
Base	Structural steel tubing
Motor Pedestal	Formed steel
Base Pads	Rubber
Finish	Industrial enamel