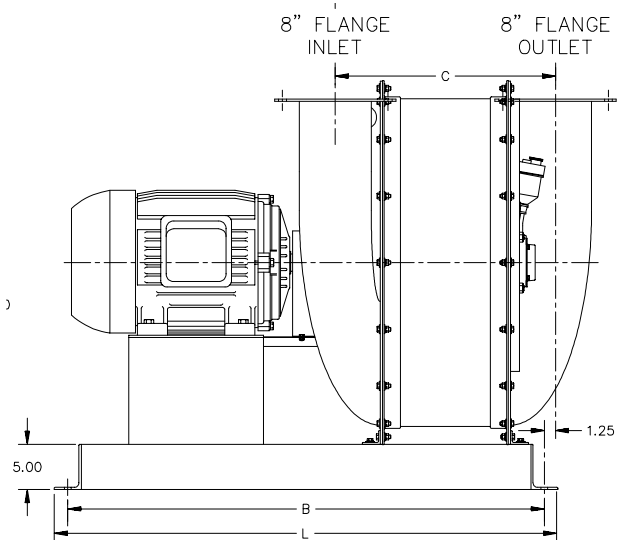
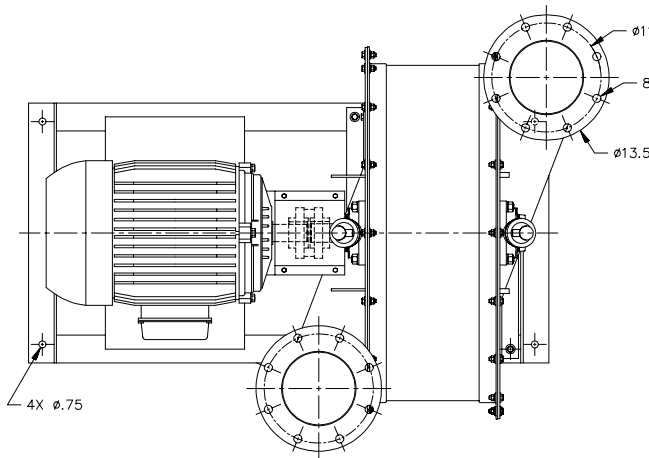
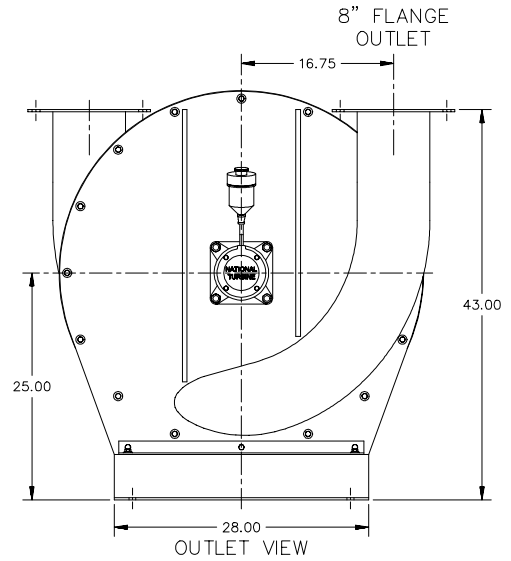
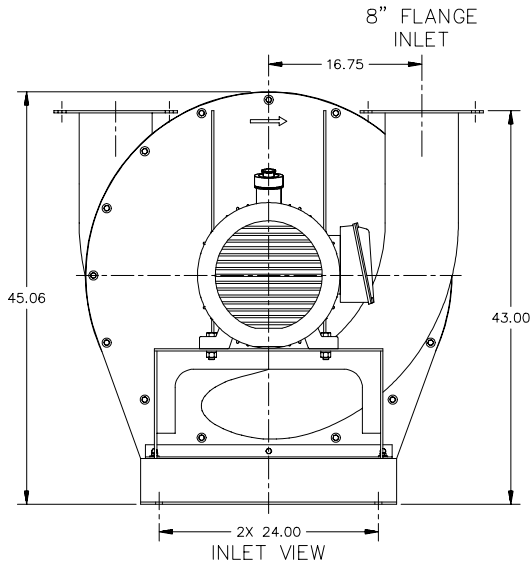




**NATIONALTURBINE CORPORATION**  
 374 Northern Lights Drive  
 Syracuse, NY 13212  
 888-293-7434 fax 315-455-5545  
 www.nationalturbine.com  
 sales@nationalturbine.com

# MILLENNIUM SERIES TECHNICAL DATA AND DIMENSIONS

## M36 SERIES INLET DRIVE BLOWERS AND EXHAUSTERS



MODEL	"C" DIMENSION	"B" DIMENSION	"L" DIMENSION
M361	16.5" (419 MM)	30" (762 MM)	33" (838 MM)
M362	20.5" (521 MM)	48" (1219 MM)	51" (1295 MM)
M363	24.5" (622 MM)	53" (1346 MM)	56" (1422 MM)
M364	28.5" (724 MM)	60" (1524 MM)	63" (1600 MM)
M365	32.5" (826 MM)	68" (1727 MM)	71" (1803 MM)
M366	36.5" (927 MM)	74" (1880 MM)	77" (1956 MM)

DIMENSIONS SUBJECT TO CHANGE WITHOUT NOTICE  
 COPYRIGHT 1999-2003 NATIONAL TURBINE CORPORATION



**NATIONALTURBINE CORPORATION**  
374 Northern Lights Drive  
Syracuse, NY 13212  
888-293-7434 fax 315-455-5545  
www.nationalturbine.com  
sales@nationalturbine.com

## MILLENNIUM SERIES TECHNICAL DATA AND DIMENSIONS

### M36 Series

#### Technical Data

Number of Stages	1 through 6
Inlet Connection	8" Tube (ANSI flange available)
Outlet Connection	8" ANSI Flange
Operating Speed	3550 RPM
Maximum Casing Pressure	15 PSIG
Bearings	Ball, self-aligning, flange mount 10 year B-10 life
Lubrication	Grease
Impeller Diameter	24" (610 mm)
Impeller Tip Speed	22,148 FPM (6733 m/min)
Drive	Direct coupled (belt drive available)
Drive Shaft Diameter	2.0" at coupling (51 mm)
Rotor Balance	Individually static and dynamically balanced to ISO standards

#### Materials of Construction

Inlet Head	1/4" Plate steel
Outlet Head	1/4" Plate steel
Casing	14 Gauge cold rolled steel
Tie Rods	Cold rolled steel
Joint Sealant	RTV silicone rubber
Shaft	Carbon steel, AISI 1045 (316 Stainless steel available)
Impellers	319 Cast aluminum-alloy
Base	Structural steel "I" Beam
Motor Pedestal	Formed steel
Base Pads	Rubber
Finish	Industrial enamel