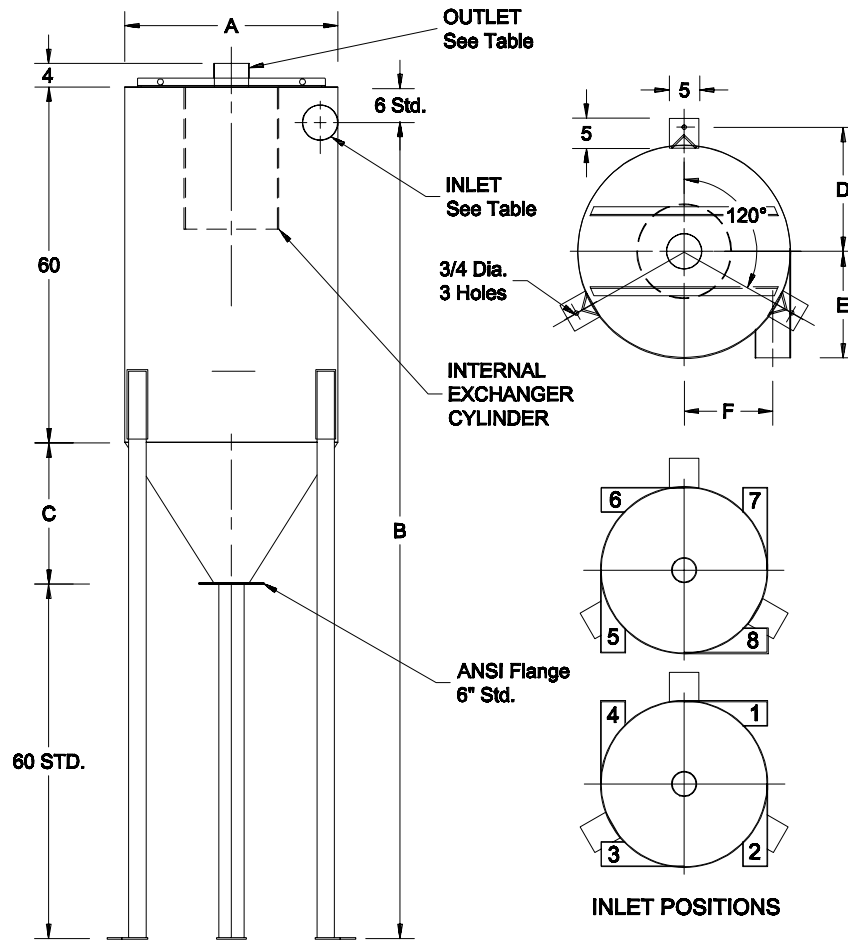




NATIONALTURBINE CORPORATION
 374 Northern Lights Drive
 Syracuse, NY 13212
 888-293-7434 fax 315-455-5545
 www.nationalturbine.com
 sales@nationalturbine.com

VACUUM EQUIPMENT TECHNICAL DATA AND DIMENSIONS

CYCLONIC PRIMARY SEPARATORS



MODEL Number	A inches (mm)	B inches (mm)	C inches (mm)	D inches (mm)	E inches (mm)	F inches (mm)	Inlet/Outlet Std. Sizes inch / (mm)	Storage Area CF / (CM)
24X84CYC	24 (610)	138 (3505)	24 (610)	15 (381)	12 (305)	10.5 (267)	3" OD Tube (76)	14 (.4)
30X84CYC	30 (762)	138 (3505)	24 (610)	18 (457)	15 (381)	12.5 (318)	5" OD Tube (127)	21 (.6)
36X84CYC	36 (914)	138 (3505)	24 (610)	21 (533)	18 (457)	15 (381)	6" OD Tube (152)	31 (.88)
48X96CYC	48 (1219)	150 (3810)	36 (914)	27 (686)	24 (610)	20 (508)	8" OD Tube (203)	59 (1.67)



NATIONALTURBINE CORPORATION
374 Northern Lights Drive
Syracuse, NY 13212
888-293-7434 fax 315-455-5545
www.nationalturbine.com
sales@nationalturbine.com

VACUUM EQUIPMENT TECHNICAL DATA AND DIMENSIONS

SPECIFICATIONS FOR PRIMARY CYCLONIC SEPARATORS

National Turbine Corporations primary cyclonic separators are the ideal choice when large amounts of material are to be collected from the air stream, prior to the final filtration stage.

Available in either a free standing configuration as shown, or with platform mounting pads, each unit is specifically tailored to the air flow and material characteristics of the specific application to maximize efficiency.

ALL UNITS INCLUDE:

- 12 gauge steel construction standard
- Tangential Inlet configuration
- Internal cyclonic cone, sized to the application, to maximize air/material separation
- Legs are constructed of heavy duty angle iron with large mounting feet
- Reinforced top with lifting points standard
- ANSI flanged cone discharge is standard
- Industrial enamel finish over red oxide primer

OPTIONS AVAILABLE:

- Stainless Steel Construction
- Access or cleanout doors
- Tube connections on cone discharge
- Tube or pipe inlet and outlet connections in sizes required for the application
- Inlet Abrasion Plate to minimize wear on the tank walls
- Manual, automatic or counter weighted discharge valves
- Rotary airlocks
- Level sensors