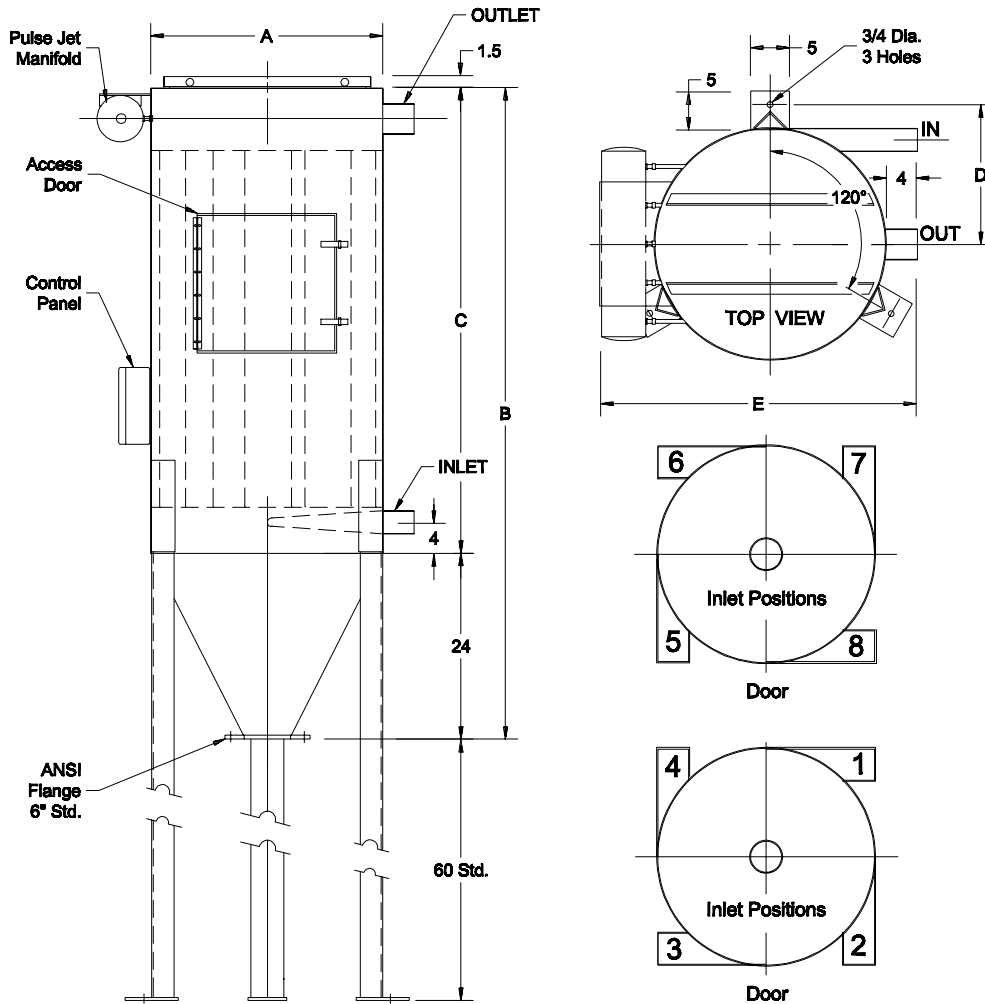




**NATIONALTURBINE CORPORATION**  
 374 Northern Lights Drive  
 Syracuse, NY 13212  
 888-293-7434 fax 315-455-5545  
 www.nationalturbine.com  
 sales@nationalturbine.com

# VACUUM EQUIPMENT TECHNICAL DATA AND DIMENSIONS

## SERIES 30 BAG STYLE PULSE JET SEPARATOR



MODEL NUMBER	A	B	C	D	E	FILTER AREA	BAG QTY.	BAG PART NUMBER
<b>30X84PJB</b>	30	84	60	18	38	57 S.F.	10	6X44PJSP
<b>30X108PJB</b>	30	108	84	18	38	90 S.F.	10	6X68PJSP
<b>36X84PJB</b>	36	84	60	21	44	100 S.F.	17	6X44SP
<b>36X108PJB</b>	36	108	84	21	44	152 S.F.	17	6X68SP



**NATIONALTURBINE CORPORATION**  
374 Northern Lights Drive  
Syracuse, NY 13212  
888-293-7434 fax 315-455-5545  
www.nationalturbine.com  
sales@nationalturbine.com

## VACUUM EQUIPMENT TECHNICAL DATA AND DIMENSIONS

### **SERIES 30 BAG STYLE PULSE JET SEPARATOR SPECIFICATIONS**

#### **MATERIALS & CONSTRUCTION:**

SHELL: 12 GAUGE COLD ROLLED STEEL

FINISH: EPOXY ENAMEL (2 MILS MINIMUM)

INLET SIZE: PER CUSTOMER REQUEST

OUTLET SIZE: PER CUSTOMER REQUEST - 5-INCH STANDARD

INLET POSITION: PER CUSTOMER REQUEST - POSITION 1 STANDARD

OUTLET POSITION: PER CUSTOMER REQUEST - SIDE CENTER STANDARD

CONE BOTTOM: 6-INCH ANSI FLANGE STANDARD

BAG TYPE: BEANE KNIT SEAMLESS POLYESTER STANDARD  
OTHER MATERIALS AVAILABLE

SERVICE  
REQUIREMENTS: 110 / 1 / 60 - 5 AMP MAXIMUM  
60 - 100 PSIG SHOP AIR, CLEAN & DRY - 8 CFM

#### **OPTIONS AVAILABLE:**

SPECIAL INLET & OUTLET SIZES, FLANGED CONNECTIONS

STAINLESS STEEL CONSTRUCTION

PLATFORM MOUNTED DESIGNS

PTFE, HIGH TEMPERATURE FILTER MEDIA

GROUNDED BAGS