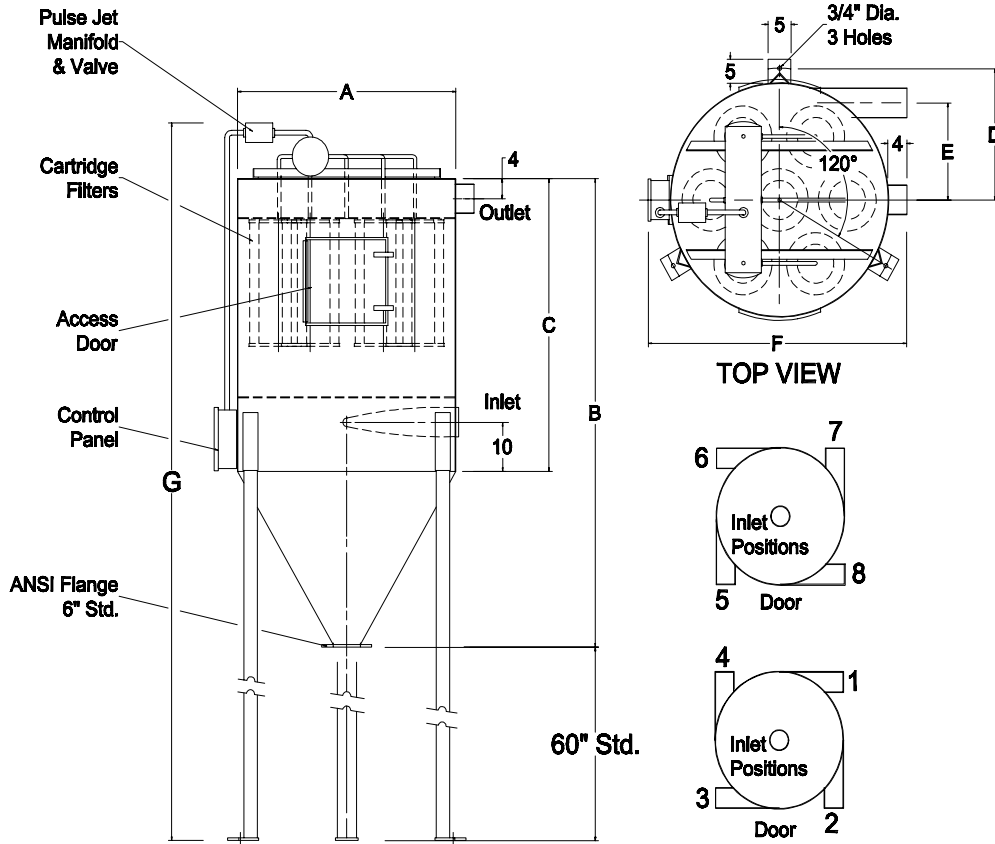




NATIONALTURBINE CORPORATION
 374 Northern Lights Drive
 Syracuse, NY 13212
 888-293-7434 fax 315-455-5545
 www.nationalturbine.com
 sales@nationalturbine.com

VACUUM EQUIPMENT TECHNICAL DATA AND DIMENSIONS

CARTRIDGE PULSE JET SEPARATORS



MODEL NUMBER	A-inch (mm)	B-inch (mm)	C-inch (mm)	D-inch (mm)	E-inch (mm)	F-inch (mm)	G	No. FILTERS	FILTER AREA (SF)	IN/OUT SIZE
24X84PJC	24 (610)	84 (2134)	60 (1524)	15 (381)	10.5 (267)	33 (838)	152 (3861)	1	75	3 (76)
24X108PJC	24 (610)	108 (2743)	84 (2134)	15 (381)	10.5 (267)	33 (838)	176 (4470)	1	100	3 (76)
32X84PJC	32 (813)	84 (2134)	60 (1524)	19 (483)	13.5 (343)	41 (1041)	152 (3861)	2/3	150/225	5 (127)
32X108PJC	32 (813)	108 (2743)	84 (2134)	19 (483)	13.5 (343)	41 (1041)	176 (4470)	2/3	200/300	5 (127)
36X84PJC	36 (914)	84 (2134)	60 (1524)	21 (533)	15.5 (394)	45 (1143)	152 (3861)	2/3/4	150/225 300	5 (127)
36X108PJC	36 (914)	108 (2743)	84 (2134)	21 (533)	15.5 (394)	45 (1143)	176 (4470)	2/3/4	200/300 400	5 (127)
48X84PJC	48 (1219)	84 (2134)	60 (1524)	27 (686)	20 (508)	57 (1448)	152 (3861)	4/5/6/7	300/375 450/525	8 (203)
48X108PJC	48 (1219)	108 (2743)	72 (1829)	27 (686)	20 (508)	57 (1448)	176 (4470)	4/5/6/7	400/500 600/700	8 (203)



NATIONALTURBINE CORPORATION
374 Northern Lights Drive
Syracuse, NY 13212
888-293-7434 fax 315-455-5545
www.nationalturbine.com
sales@nationalturbine.com

VACUUM EQUIPMENT TECHNICAL DATA AND DIMENSIONS

CARTRIDGE PULSE JET SEPARATORS

STANDARD EQUIPMENT SPECIFICATIONS:

SHELL:	12 GAUGE COLD ROLLED STEEL
FINISH:	2 MILS (MINIMUM) EPOXY ENAMEL
FILTER MEDIA:	SPUN BOND POLYESTER (STANDARD) 99% EFFICIENT AT 1 MICRON
ACCESS DOOR(S):	HINGED WITH ADJUSTABLE LATCHES
PULSE SYSTEM:	AUTOMATIC - VARIABLE TIME DELAY - SOLID STATE CONTROLS
SERVICE REQUIREMENT:	100 PSIG - DRY PLANT AIR, 110/1/60 POWER

AVAILABLE OPTIONS:

STAINLESS STEEL CONSTRUCTION

SPECIAL FILTER MEDIA

EXPLOSION CONSTRUCTION & VENTS

SPECIAL CUSTOMER SPECIFIED SUPPORT FRAMES & MOUNT FLANGES

LEVEL INDICATORS, DIFFERENTIAL PRESSURE GAUGES AND DISCHARGE VALVES
PER CUSTOMER SPECIFICATIONS