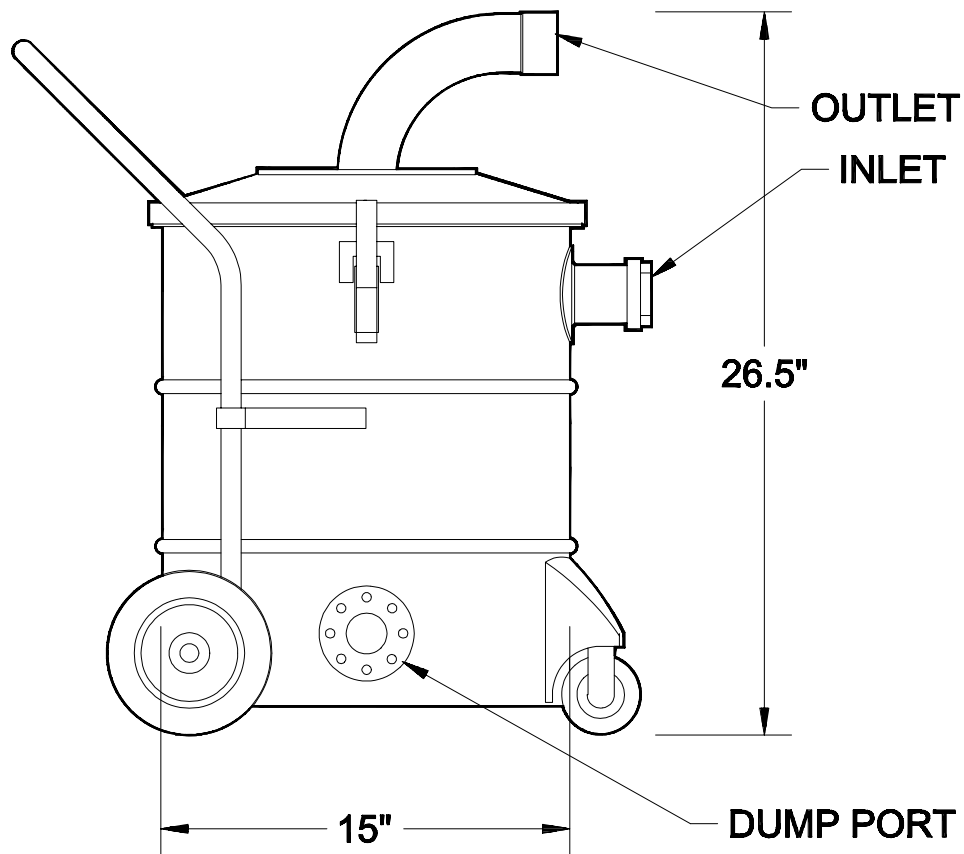




NATIONALTURBINE CORPORATION
374 Northern Lights Drive
Syracuse, NY 13212
888-293-7434 fax 315-455-5545
www.nationalturbine.com
sales@nationalturbine.com

PRODUCT DATA VACUUM EQUIPMENT

15 GALLON WET SEPARATOR



ALL STAINLESS STEEL CONSTRUCTION
15 GALLON CAPACITY
1-1/2" OR 2" INLET / OUTLET CONNECTIONS
BALL VALVE SAFETY SHUT-OFF
MANUAL DUMP VALVE