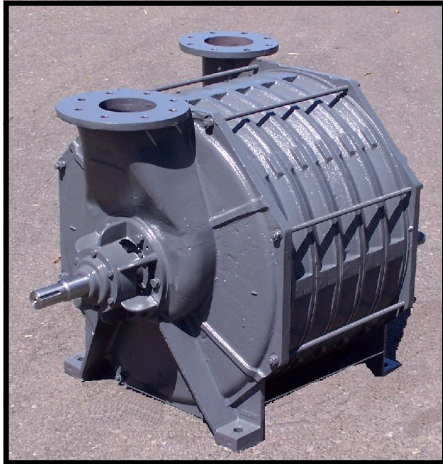




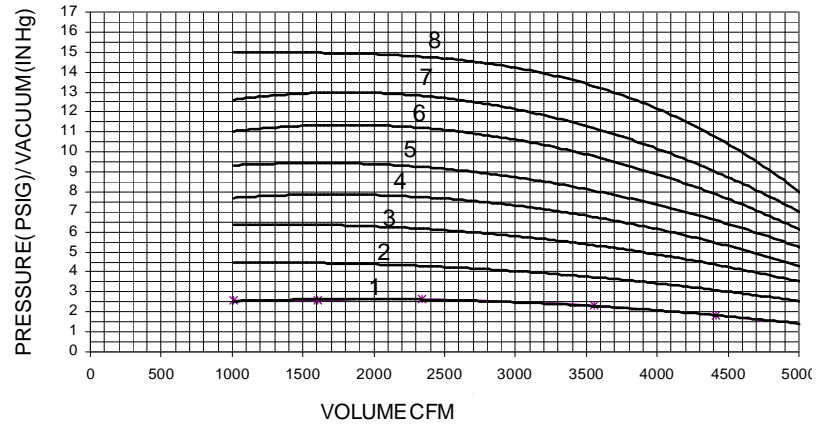
NATIONALTURBINE CORPORATION
 374 Northern Lights Drive
 Syracuse, NY 13212
 888-293-7434 fax 315-455-5545
 www.nationalturbine.com
 sales@nationalturbine.com

CENTURION SERIES TECHNICAL DATA AND DIMENSIONS

NT884 MULTI STAGE CENTRIFUGAL BLOWERS & EXHAUSTERS



GENERAL PERFORMANCE



Technical Data

Number of Stages	1 through 8
Inlet Connection	8" (203.2 mm) Flange, ASA 125# Drilling
Outlet Connection	8" (203.2 mm) Flange, ASA 125# Drilling
Operating Speed	3550 RPM
Maximum Casting Pressure	25 PSIG (1.41 kg/cm ²)
Seals (gas)	Packing Gland Style
Seals (air)	Non Contact Labyrinth
Bearings	Ball, 10-year minimum life per AFBMA B-10 standard (U.S.A. Made)
Lubrication	Grease (standard) or Oil (optional)
Impeller Diameter	26" (609.6 mm)
Impeller Tip Speed	24,164 FPM (7,365 m/min)
Drive Type	Direct Coupled
Max. Vibration Spec.	0.25 in/sec (ISO overall spec.), 1.25 mils peak to peak
Shaft End	2.25" (57 mm) diameter, inlet drive standard
Noise Level	Compliant with OSHA standards (certified test available)

Materials of Construction

Casing	Cast Iron ASTM A48 grade 25/30
Bearing Housings	Cast Iron ASTM A48 Grade 25/30
Bearing Caps	Cast Aluminum Alloy
Oil Reservoir	Cast Aluminum Alloy
Shaft	Carbon Steel AISI 4140 (Stainless Steel Available)
Impellers	Cast Aluminum Alloy
Labyrinth Seal	ZA-12 Zinc Alloy
Tie Rods	Galvanized Steel
Gas Seals	Cast Aluminum Packing Gland with Braided Packing
Air Deflector Rings	Stainless Steel
Base and Pedestal	Structural Steel
Joint Sealing Compound	RTV Silicone
Base Pads	Neoprene Rubber
Standard Finish	Industrial Enamel



**100% Made in the
 U.S.A.**



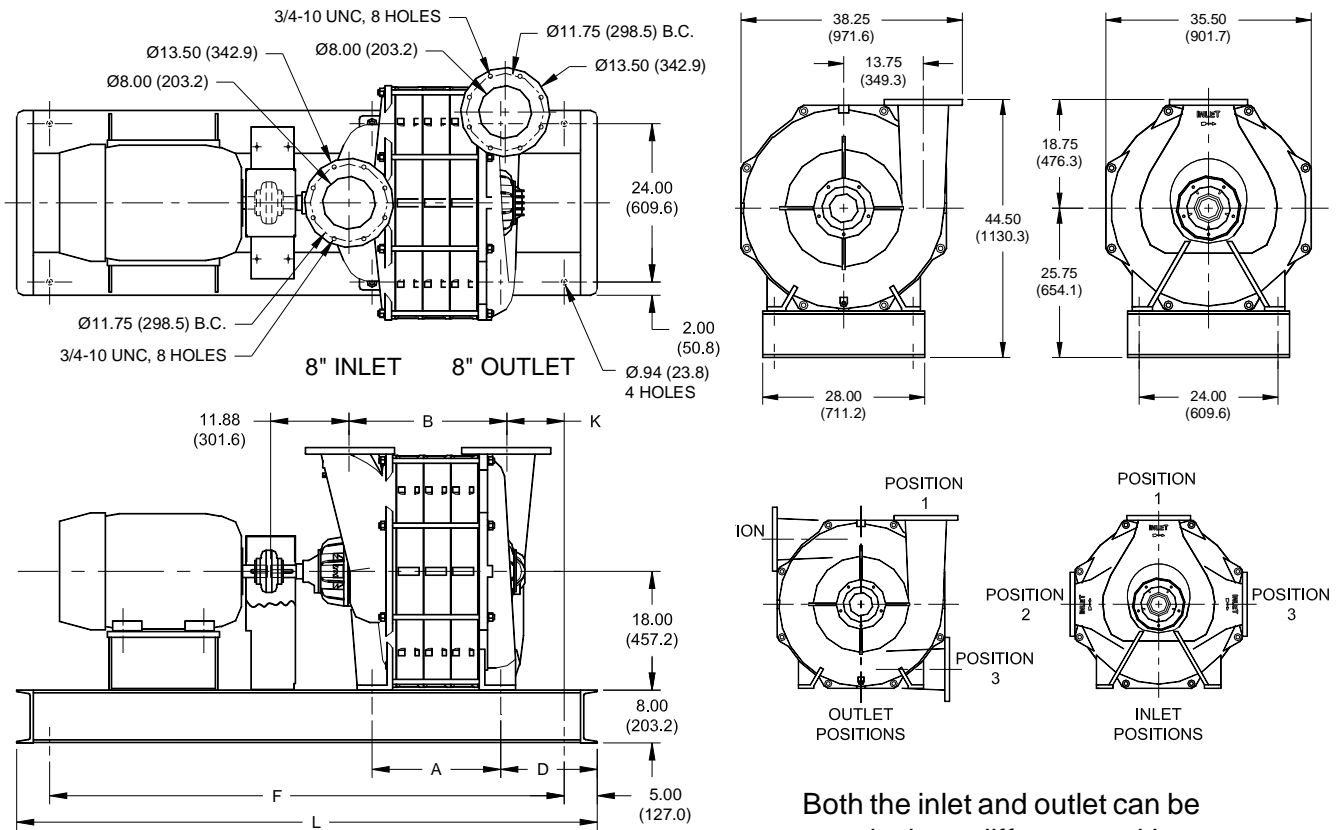
NATIONALTURBINE CORPORATION
 374 Northern Lights Drive
 Syracuse, NY 13212
 888-293-7434 fax 315-455-5545
 www.nationalturbine.com
 sales@nationalturbine.com

CENTURION SERIES TECHNICAL DATA AND DIMENSIONS

Series NT884 Multistage Centrifugal Blowers & Exhausters

General Dimensions (all dimensions in inches)

MODEL	A	B	D	F	L	K
NT88401	7.38	11.81	10.5	52	62	4.56
NT88402	11.75	16.19	10.5	58	68	4.56
NT88403	16.13	20.56	10.5	65	75	4.56
NT88404	20.5	24.94	14.88	78	88	8.94
NT88405	24.88	29.31	10.5	78	88	4.56
NT88406	29.25	33.69	14.88	92	102	8.94
NT88407	33.63	38.06	10.5	92	102	4.56
NT88408	38.00	42.44	14.88	107	117	8.94



Both the inlet and outlet can be cast in three different positions